

# *A special kind of conversion* *Part 1*

---

Search for Space for stamping

# Room for



# stamping

Anderungen	Version	Datum	Frei

**SEALSYSTEMS**  
THE DIGITAL PAPER FACTORY

Stempel hintergrund transparent

Stempeltext freigestellt

Stempel hintergrund gelöscht

Maßstab 1:1	Kontrolle: FL
Motiv: PC-Gehäuse	Erstellt: JMMK

Copyright SEAL Systems  
SEAL Systems AG, Deutschland

0626 3187 00

532183.001.01.A0.v01.bo03.sealsun10.plossys.netdome.23.10.2002.16:24:47.Skalierung.0.500  
Fa. SEAL Systems AG, Lohmühlweg 4, D-91341 Röttenbach, Telefon 09195/926-0, www.sealsystems.de  
DIM - Document Input Management / DOM - Document Output Management



# *Efficient use of free spaces*

---



**We now offer a solution to automatically find the free position and use it for stamping.**



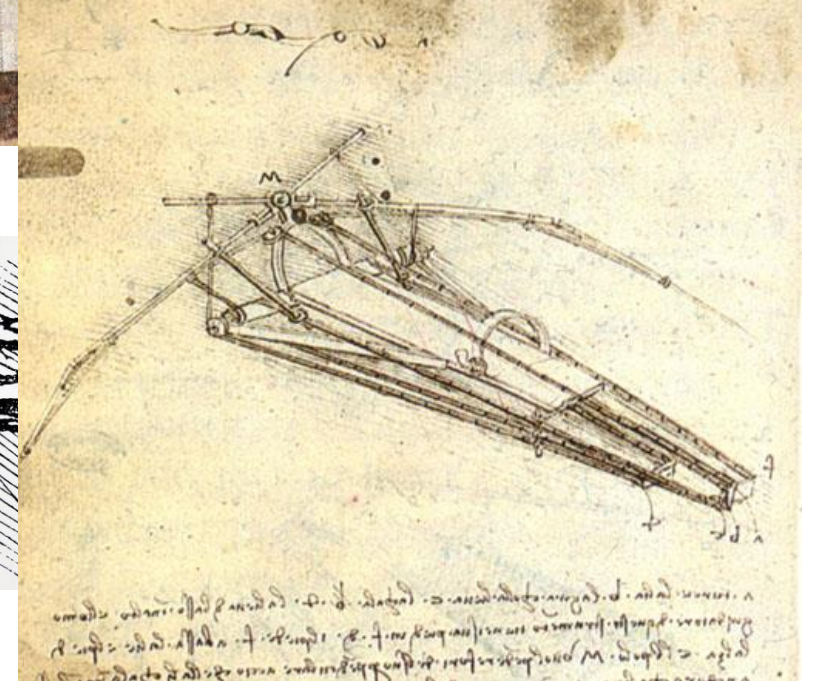
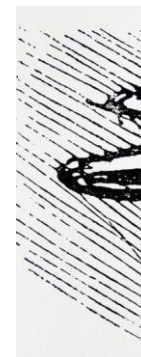
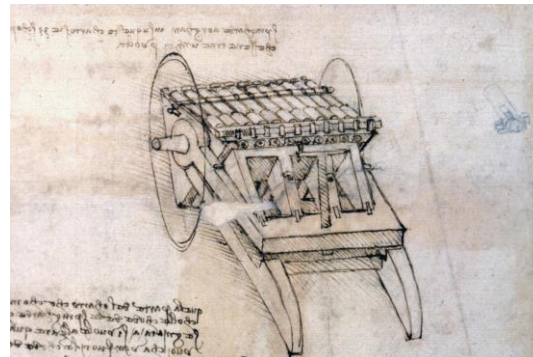
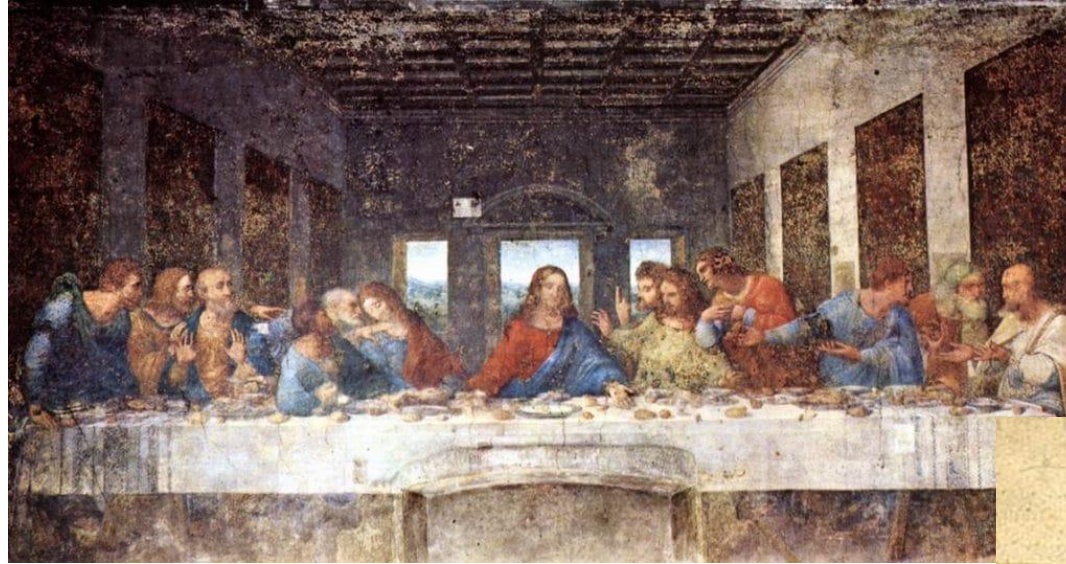
***For example : ...an example must be found!***

---



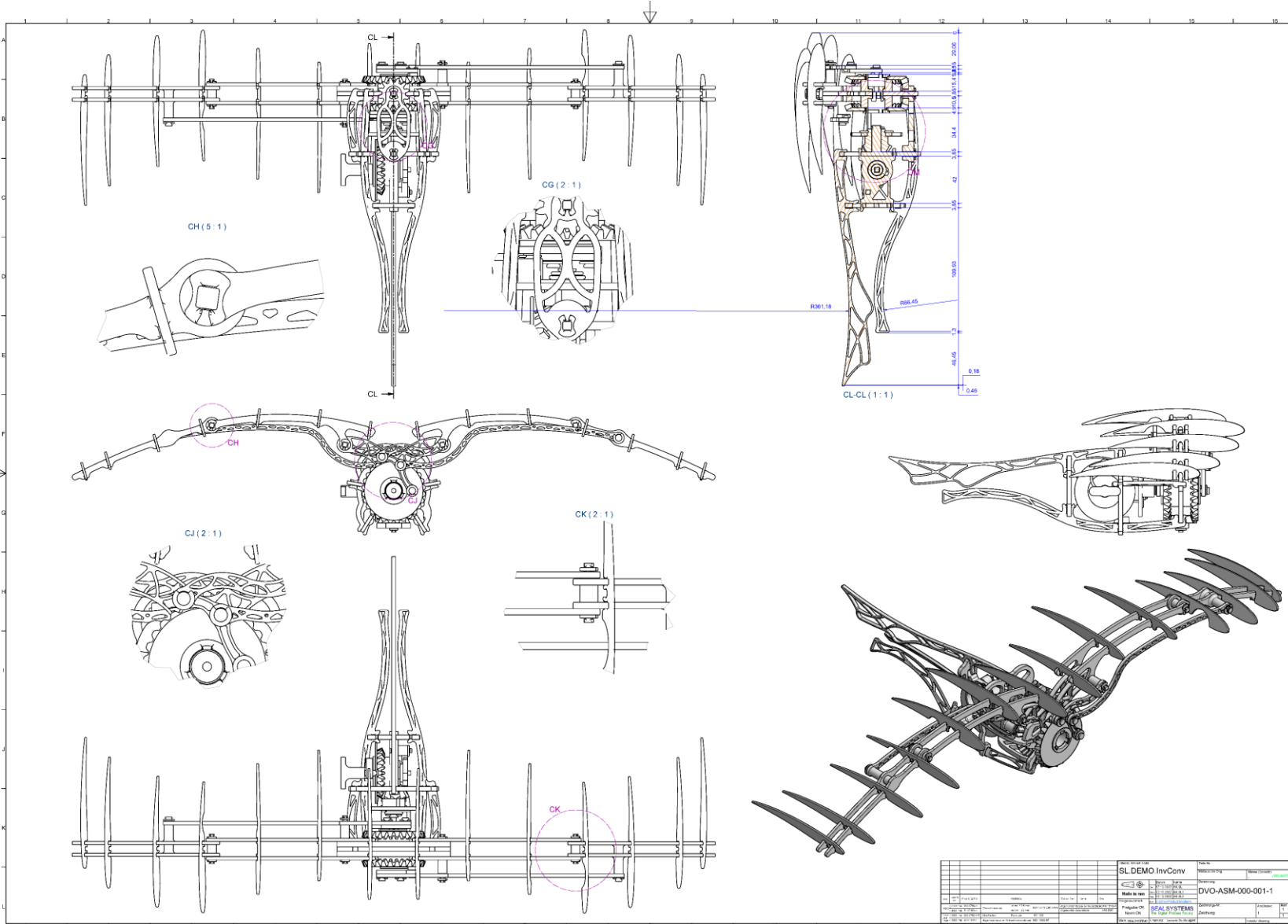
# Leonardo da Vinci (1452 - 1519)

---





# The task presented using the example “Ornithopter”

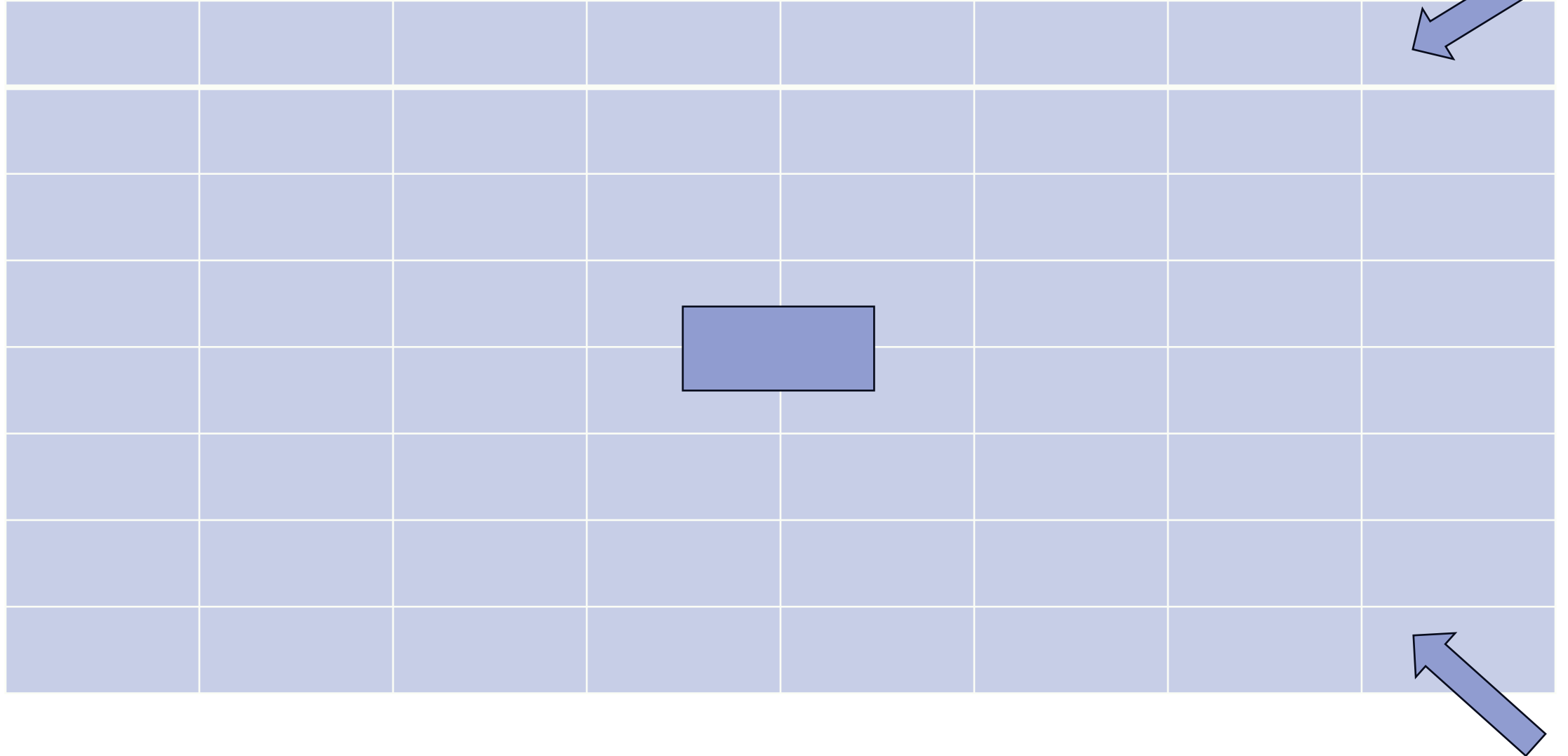


1. State
2. Warning
3. Table



# *Our solution: Automatic image analysis*

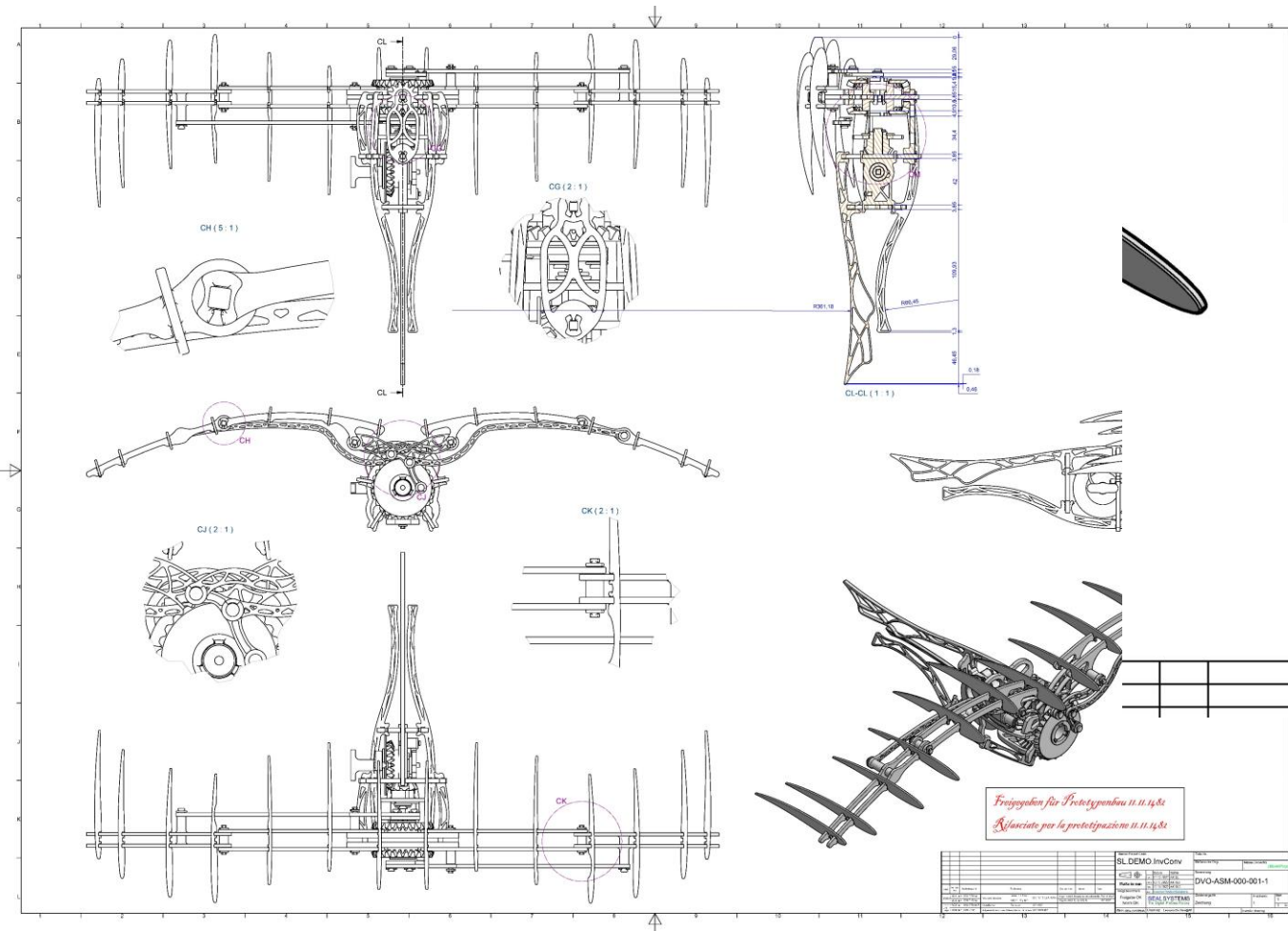
---





# State

---



Freigegeben für Prototypenbau 11.11.1482  
 Rilasciato per la prototipazione 11.11.1482

Internal Project Code:  
 SI DEMO InvConv

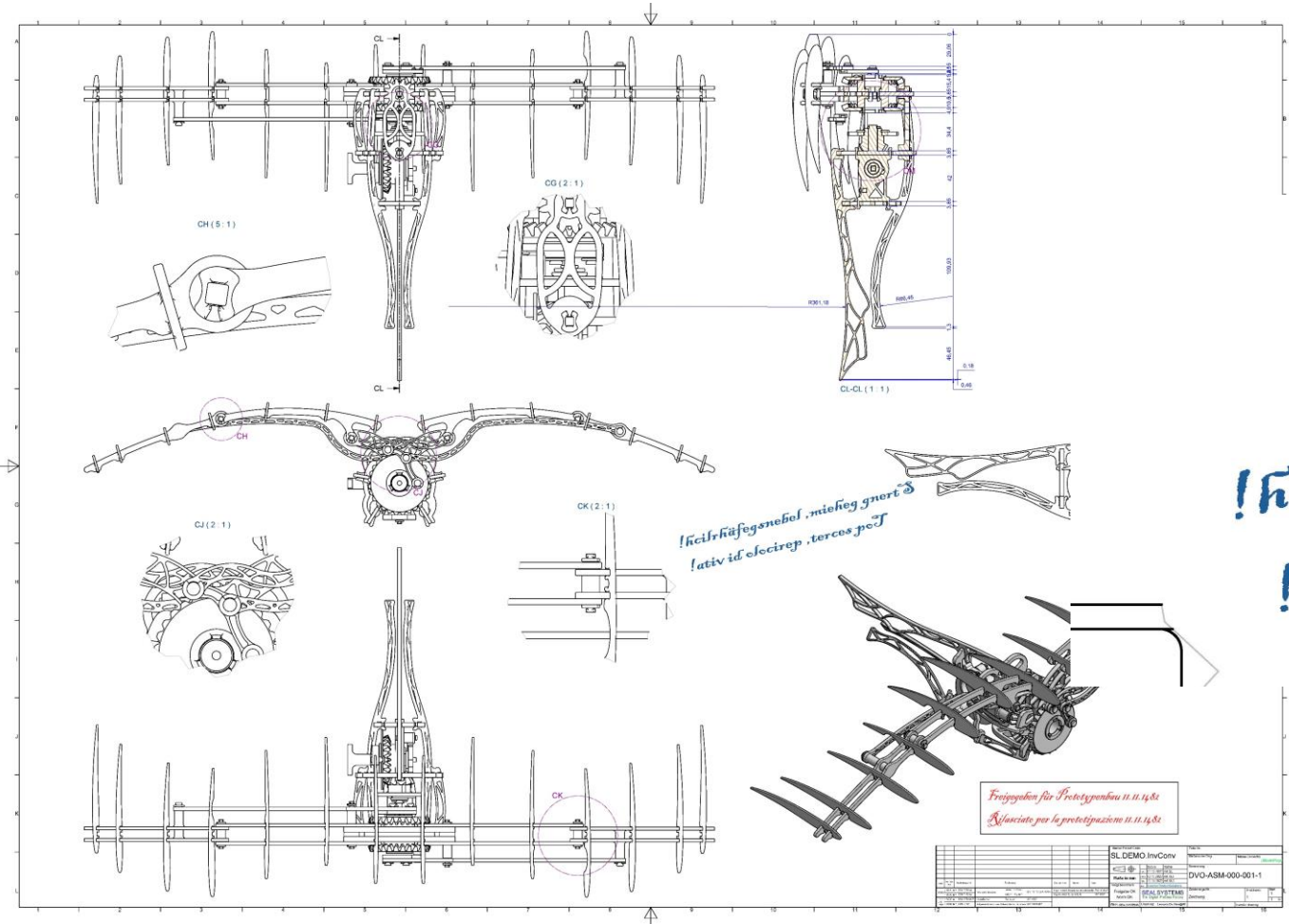
Freigegeben für Prototypenbau 11.11.1482  
 Rilasciato per la prototipazione 11.11.1482

SI DEMO InvConv	REV:	001	DATE:	11/11/1482
PROJECT:	DVD-ASM-000-001-1	STATUS:	PROLOG	APP:
DESCRIPTION:				
DESIGNER:	PIRELLA	CHECKER:		
APPROVER:				
DATE:	11/11/1482			





# Warning



*!hcilrhüfegsnebel ,mieheg gnert 3  
!ativ id' elocirep ,terces poT*

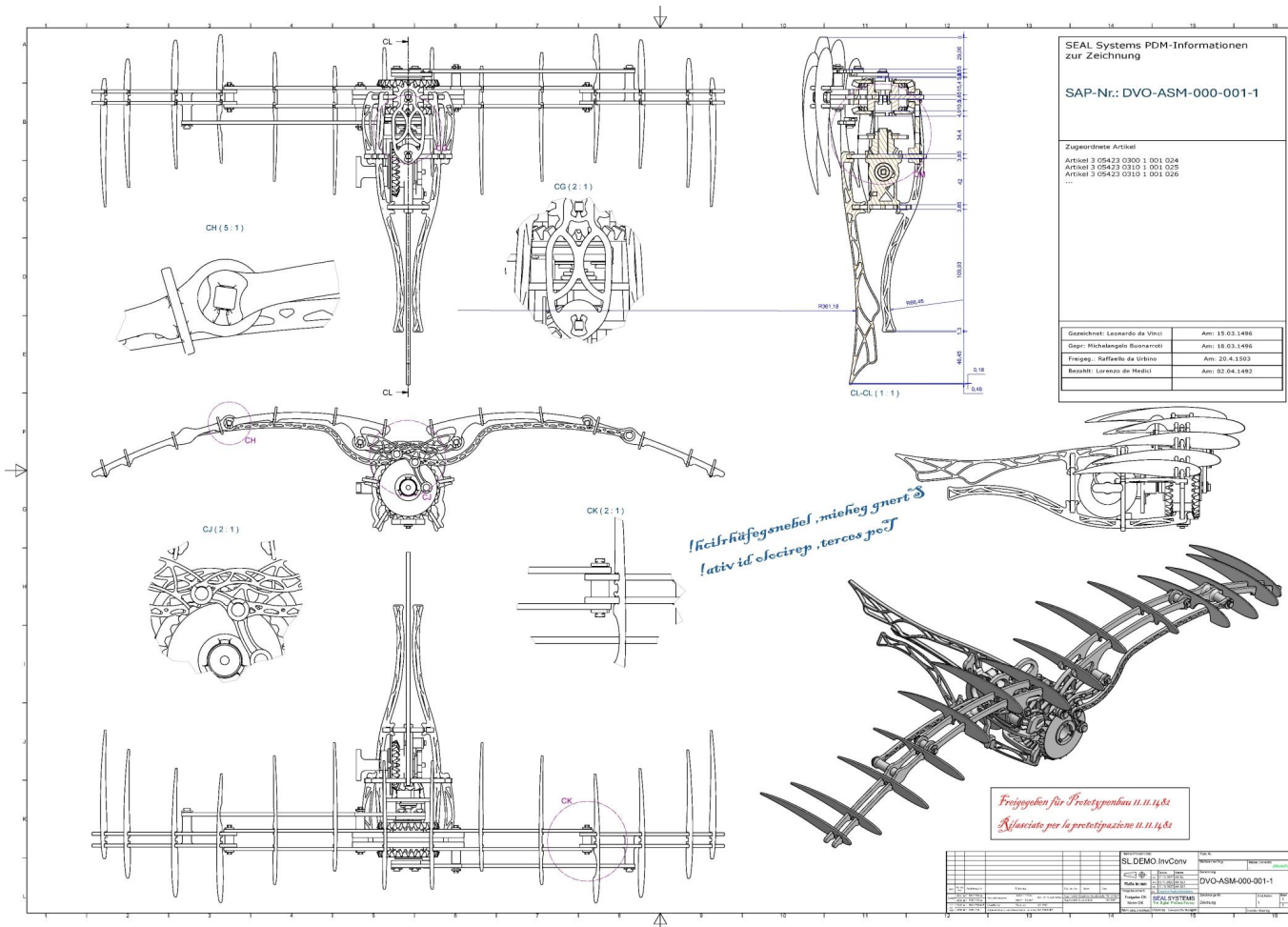
*!hcilrhüfegsnebel ,mieheg gnert 3  
!ativ id' elocirep ,terces poT*

*Freigegeben für Prototypenbau 11.11.18  
Released for the prototyping 11.11.18*

PROJEKT	SL DEMO InvConv	DATE	11.11.18
PROJEKTLEITER	DVD-ASM-000-001-1	VERSION	1.0
PROJEKTNUMMER		PROJEKTNAME	REALSYSTEM
PROJEKTSTATUS		PROJEKTLEITER	
PROJEKTLEITER		PROJEKTNUMMER	
PROJEKTNUMMER		PROJEKTSTATUS	
PROJEKTSTATUS		PROJEKTLEITER	
PROJEKTLEITER		PROJEKTNUMMER	
PROJEKTNUMMER		PROJEKTSTATUS	
PROJEKTSTATUS		PROJEKTLEITER	



# Table



13 | 14 | 15 | 16

## SEAL Systems PDM-Informationen zur Zeichnung

### SAP-Nr.: DVO-ASM-000-001-1

#### Zugeordnete Artikel

Artikel 3 05423 0300 1 001 024  
 Artikel 3 05423 0310 1 001 025  
 Artikel 3 05423 0310 1 001 026  
 ...

Gezeichnet: Leonardo da Vinci	Am: 15.03.1496
Gepr: Michelangelo Buonarroti	Am: 18.03.1496
Freigege.: Raffaello da Urbino	Am: 20.4.1503
Bezahlt: Lorenzo de Medici	Am: 02.04.1492



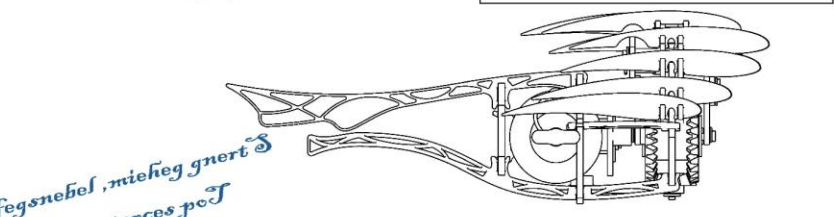
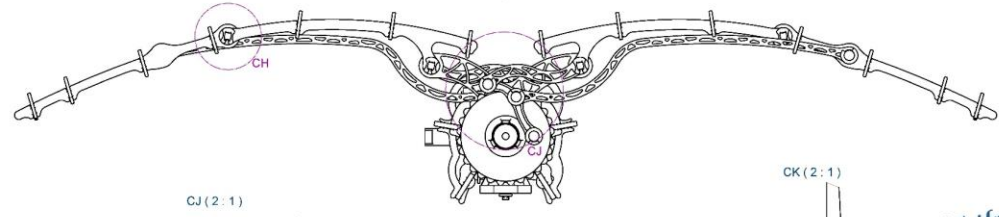
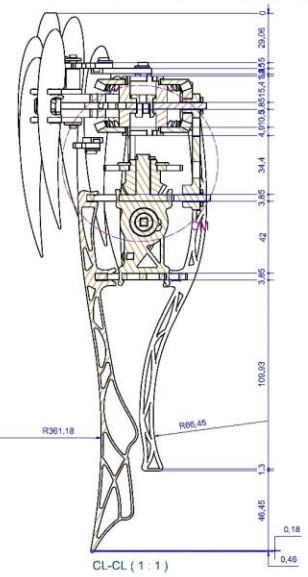
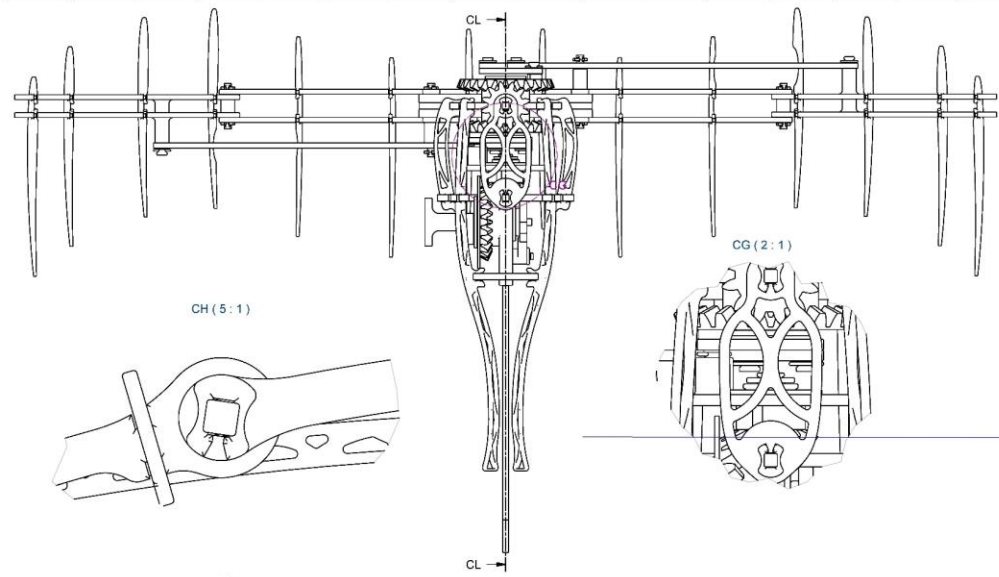
SEAL Systems PDM-Informationen zur Zeichnung

SAP-Nr.: DVO-ASM-000-001-1

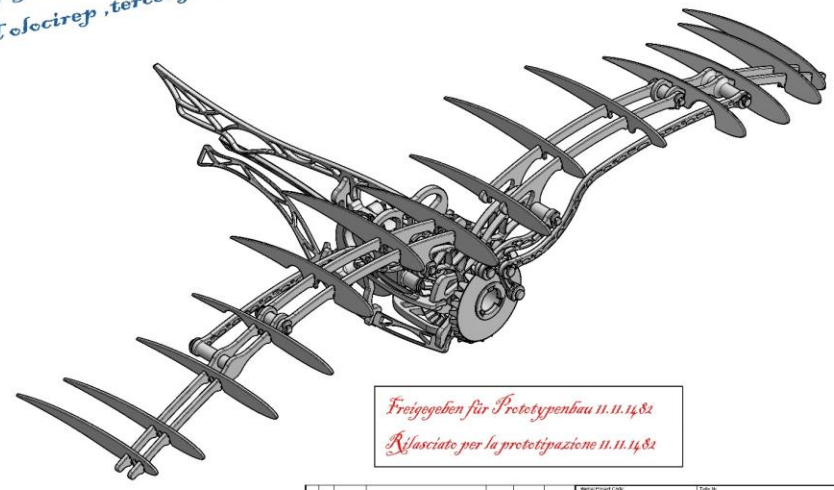
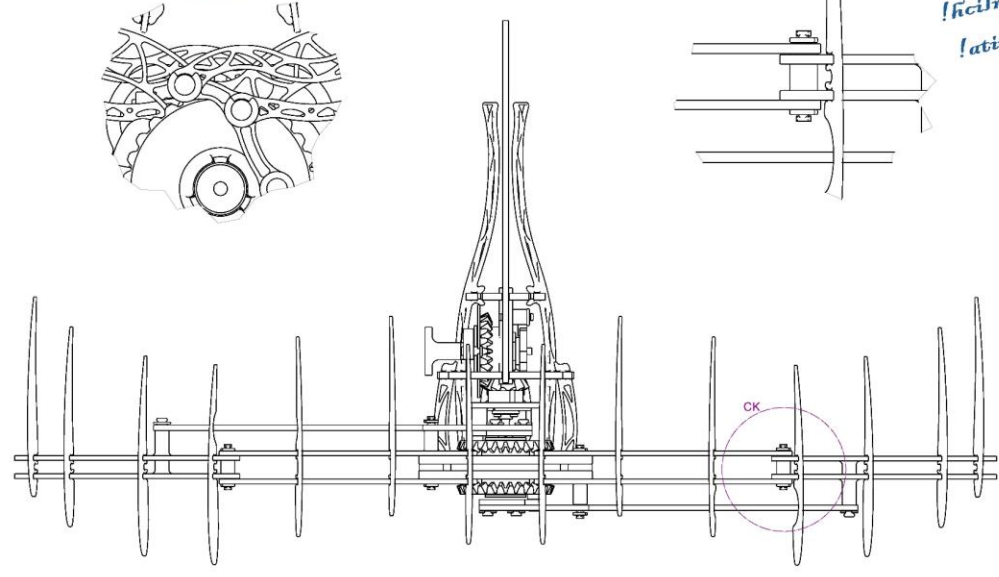
Zugeordnete Artikel

Artikel 3 05423 0300 1 001 024  
Artikel 3 05423 0310 1 001 025  
Artikel 3 05423 0310 1 001 026  
...

Gezeichnet: Leonardo da Vinci	Am: 15.03.1496
Gepr.: Michelangelo Buonarroti	Am: 18.03.1496
Freigegeben: Raffaello da Urbino	Am: 20.4.1503
Bezahlt: Lorenzo de Medici	Am: 02.04.1492



*!licitrhäfegsnebel ,mieheg gnert S  
!ativ id e locirep ,terces poT*



*Freigegeben für Prototypenbau 11.11.14,8z  
Rilasciate per la prototipazione 11.11.14,8z*

SL.DEMO InvConv		Date:	
Date: 11.11.14,8z		User: daniel	
DVO-ASM-000-001-1		Status: <input checked="" type="checkbox"/> Released	
Project: SEAL SYSTEMS		Drawing: <input type="checkbox"/> Drafting	
Name: Dr. SEAL SYSTEMS		Title: <input type="checkbox"/> Final	
Description: <input type="checkbox"/> Assembly		Date: <input type="checkbox"/> 11.11.14,8z	
Author: <input type="checkbox"/> Leonardo da Vinci		Date: <input type="checkbox"/> 15.03.1496	
Checked: <input type="checkbox"/> Michelangelo Buonarroti		Date: <input type="checkbox"/> 18.03.1496	
Released: <input type="checkbox"/> Raffaello da Urbino		Date: <input type="checkbox"/> 20.4.1503	
Paid: <input type="checkbox"/> Lorenzo de Medici		Date: <input type="checkbox"/> 02.04.1492	

# *A special kind of conversion*

## *Part 2*

---

We change our name



# *We change our company name.*

---

Google

Alphabet

Twitter

X

Facebook

Meta

Daimler

DaimlerChrysler

Mannesmann

Rexroth

Bombardier

Airbus

Siemens AG LDA

Innomotics GmbH

ABB Schweiz AG

Accelleron



# *Example: SEAL Systems*

---



**SEALSYSTEMS**

THE DIGITAL PAPER FACTORY



**SEALSYSTEMS**

ENTERPRISE OUTPUT SOLUTIONS



# *Project X*

---

- Company spin-off
- Service, spare parts business, extensions are taken over
- 500,000 files with company logo, company name and disclaimer
- Runtime 1 year
- 6 servers in parallel



# 1530

Charles V (Spanish line of the Habsburgs)

1520 Aachen: King of Germany

1521 "Reichstag" in Worms - Luther!

1530 Bologna: Imperial coronation by Pope Clement VII (Medici)

1530 Besiegement of Florence to reinstate the Medici

"Leaning" tower of Pisa has been leaning for 345 years







# Michelangelo Buonarroti (1475 – 1564)

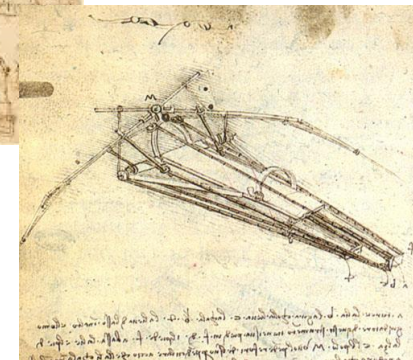
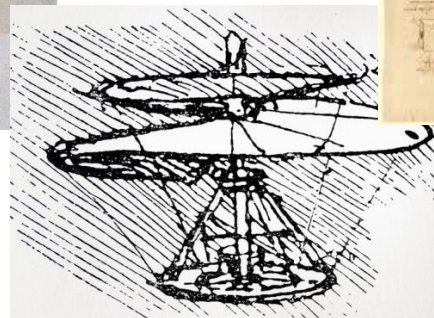
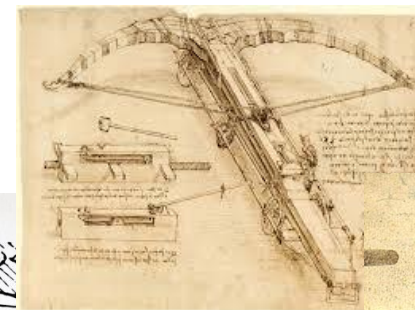
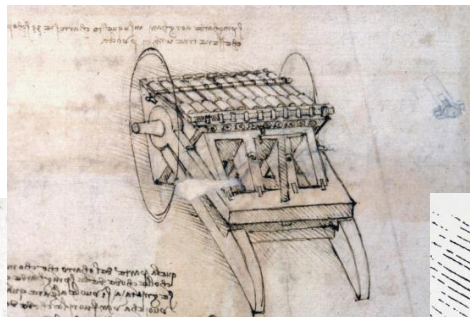
---

Favorite of Lorenzo de Medici

Military expert for Florence 1530

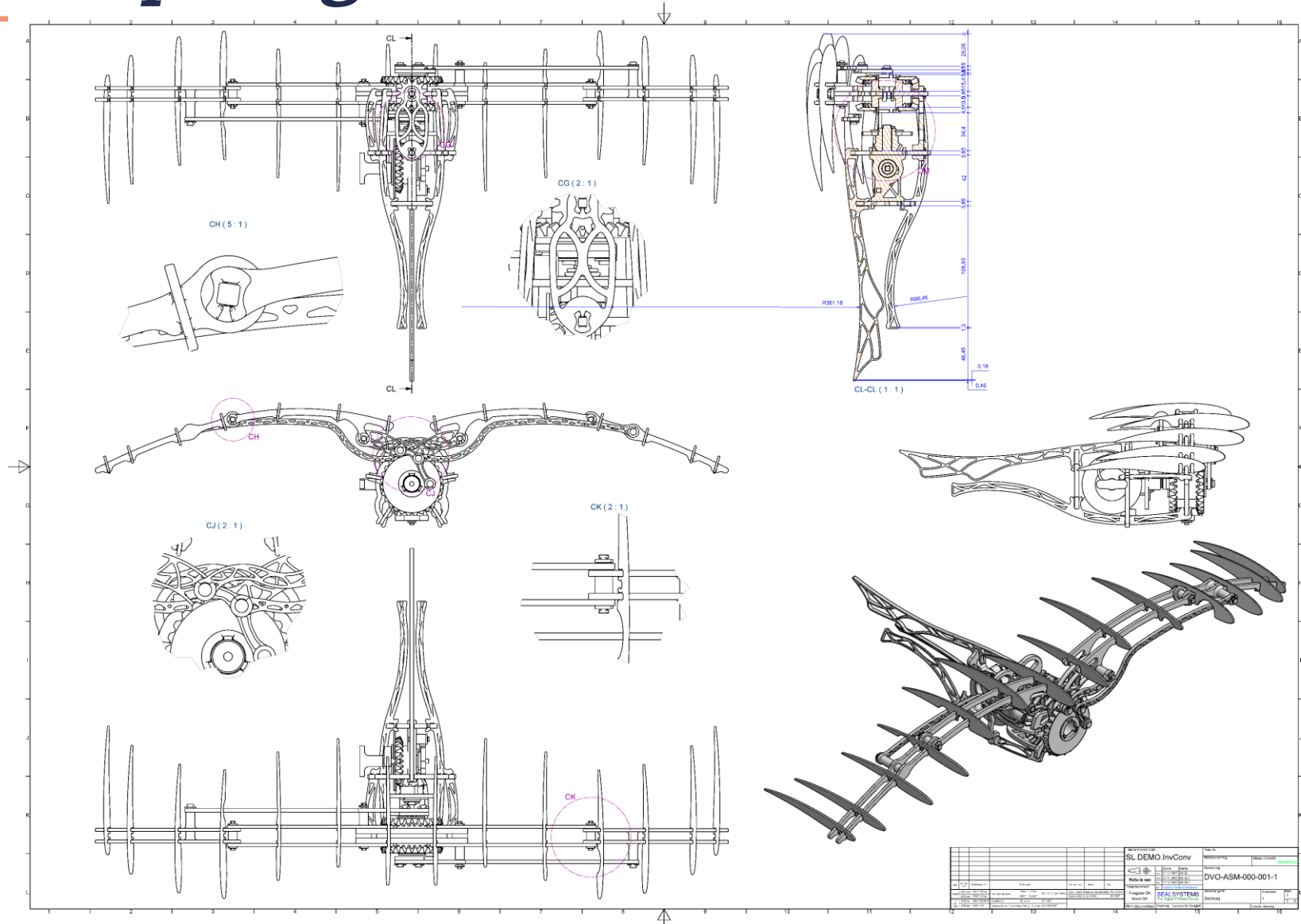


David 1501-04





# The example again





# *The Task*

---

When a new company is spun off, it can also take rights to products with it.

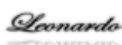
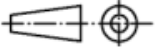

These products should then, of course, be advertised, sold and maintained with the corporate identity of the new company.

- Company logo - company name - copyright
- Large amounts of data
- Tight schedule



# Search in title block ...

Logos and company names are usually found in the title block.

				<i>Leonardo Società a responsabilità limitata</i>						Internal Project Code: <b>SL.DEMO.InvConv</b>		Teile-Nr.			
											Maßstab im Orig.		Masse (Gewicht) - <i>(ModelProp)</i>		
											Datum	Name	Benennung		
											Gez.	AK.SL	<b>DVO-ASM-000-001-1</b>		
										<b>Maße in mm</b>		Gepr.			AK.SL1
											Ges.	AK.SL2			
										Freigabevermerk		Abt. <a href="#">CreativeProductSolutions</a>		Zeichnungs-Nr. :	
										Freigabe OK Norm OK		 The Digital ProCess Factory		Änd.Index: 1	
										Werk:		Ursprung: Leonardo Da Vinci@AK		Blatt 1	
														1 Bl.	
														Inventor drawing	

# Diversity of logos

---

Leonardo da Vinci

Leonardo da Vinci

Verrochio

Leonardo da Vinci

Leonardo da Vinci

Leonardo da Vinci



# Logo and company found

0.99 > LEO@1.00



							Internal Project Code: <b>SL.DEMO.InvConv</b>			Teile-Nr.			
										Maßstab im Orig.		Masse (Gewicht) - (ModelProp)	
										Datum		Name	
							<b>Maße in mm</b>			Gez.		AK.SL	
										Gepr.		AK.SL1	
										Ges.		AK.SL2	
							Freigabevermerk			Abt.		CreativeProductSolutions	
							Freigabe OK Norm OK			SEALSYSTEMS The Digital ProCess Factory		Benennung <b>DVO-ASM-000-001-1</b>	
							Werk:			Ursprung: Leonardo Da Vinci@AK		Zeichnungs-Nr. : Zeichnung	
												Änd.Index: 1	
												Blatt 1 Bl.	
												Inventor drawing	

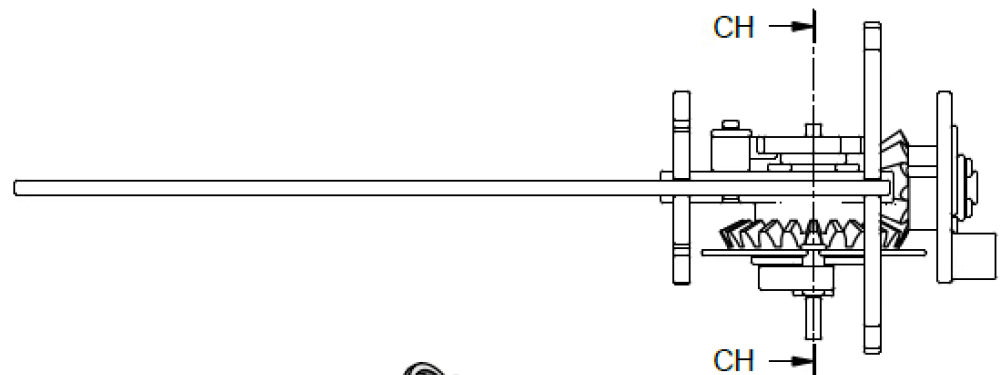
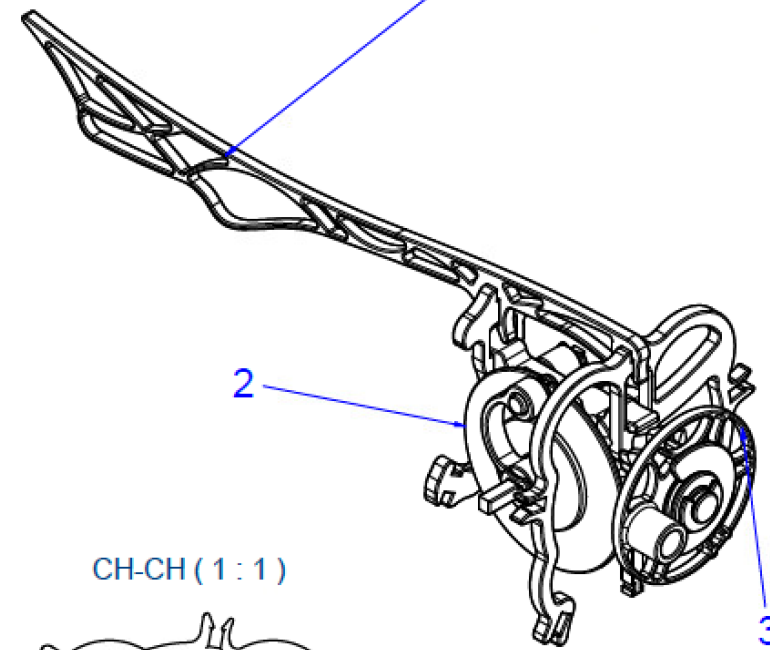
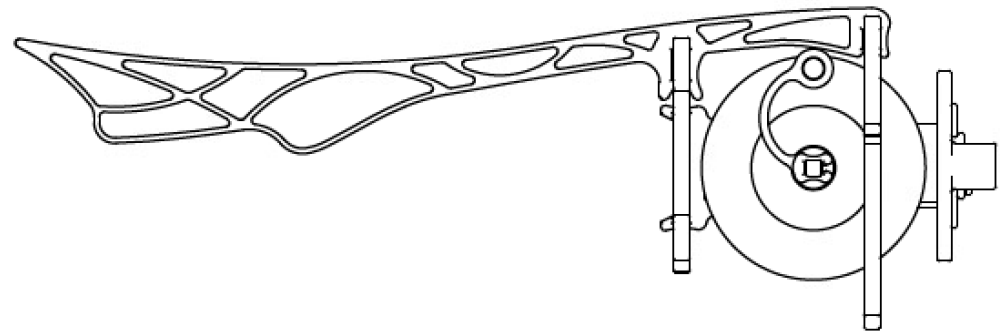
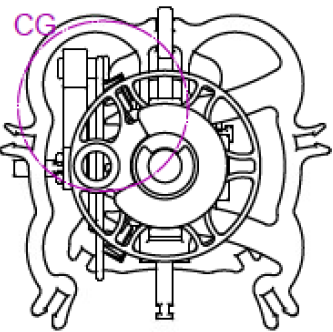
12

13

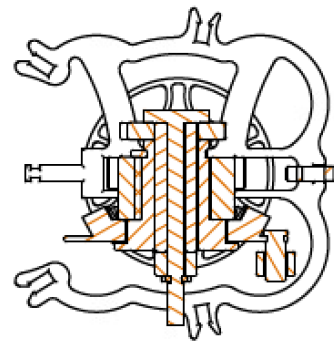
14

15

16



CH-CH (1 : 1)

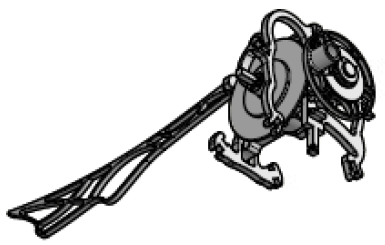


Michelangelo

Teileinformationsliste		
Pos.	Menge	DATEINAME
1	1	DVO-DET-034-001_Domy_ina_As_Machined_Ipt
2	1	DVO-SUB-517-001_Domy_ina.lam
3	1	DVO-SUB-516-001_Domy_ina.lam

Änd.	formver.	Änderungs-Nr.	Änderung	Datum	Gez.	Name	Gez.

Internal Project Code:		Teile-Nr.	
SL.DEMO.InvConv			
Maße in mm		Maßstab im Orig.	
Freigabevermerk		Benennung	
		DVO-SUB-518-001	
		Zeichnungs-Nr.:	
		01.020	
		And Index:	
		1	
		Blatt:	
		1 Bl.	
Werk: SEALSYSTEMS		Ursprung: Leonardo De Vinci@AK	
		Inventory drawing	



Information contained in this document is confidential. Any unauthorized use, reproduction or disclosure to third parties is prohibited. Michelangelo Srl reserves all intellectual property rights. ©Copyright 1530 Michelangelo Srl.



# Disclaimer

---

The confidentiality notices - ownership notices - disclaimers are in the bottom left-hand corner.

F  
1  
Confidential: The information contained in this document must be treated as confidential. Any unauthorized use, duplication, reproduction or disclosure to third parties is prohibited. Michelangelo Srl reserves all intellectual property rights. @Copyright 1530 Michelangelo Srl.

2  
Riservato: le informazioni contenute nel presente documento devono essere trattate in modo riservato. È vietato qualsiasi uso, duplicazione, riproduzione o divulgazione non autorizzata a terzi. Michelangelo Srl si riserva tutti i diritti di proprietà intellettuale. @Copyright 1530 Michelangelo Srl.





# Create Reference

labelling C:\Users\Administrator\Desktop\SEAL\_Refs\DIN\_A2\scans\logo.png [1 / 1]

File Edit View Help

3 5 4

Leonardo da Vinci

Pos.	Menge	DATEINAME
1	1	DVO-SUB-508-001_Domy Ina.iam
2	1	DVO-SUB-509-001_Domy Ina.iam
3	1	DVO-DET-044-001_Domy Ina_As Me
4	1	DVO-DET-043-001_Domy Ina_As Me
5	2	DVO-DET-029-001_Domy Ina_As Me

And.	kommt vor	Anderungs-Nr.	Aenderung	Datum	Gez.	Name	Ges.
			innen + 1,6 mm			ISO 13715 (DIN 6784)	Allgemeintol. Gesenkschmiedestuecke EN 10243-F
			außen - 0.2 mm				Allgemeintol. Gussrohrtelle ISO 8062
			Ra in µm			ISO 1302	
			Allgemeintoleranzen Schweißkonstruktionen			ISO 13920-BF	

Internal Project Code:  
**SL.DEMO.InvConv**

Maße in mm

Freigabevermerk  
Freigabe OK  
Norm OK

Werk: SEALSYSTEMS

Datum	Name
12.10.2022	AK.SL
12.10.2022	AK.SL1
12.10.2022	AK.SL2

Abt. CreativeProductSolutions

SEALSYSTEMS  
The Digital ProCess Factory

Ursprung: Leonardo Da Vinci@A

Teile-Nr.  
Maßstab im Orig.  
Masse (Gewicht)  
Benennung  
**DVO-SUB-511-001**  
Zeichnungs-Nr.  
labelling ? x  
logol  
Inventor drawing

And.Index:  
01.020

Zoom In 39 %  
Zoom Out  
Fit Window  
Fit Width



# List view for errors

seal-admin

SEALSYSTEMS  
SEAL Client

Seal

Convert Settings Faulty:  Checked:  Lot contains errors: documents won't be uploaded:  Reset Start Converting

Failed Processing Completed

+ Add Panel

Seal

Upload

<input type="checkbox"/>	6	Filename	Metadata	
<input type="checkbox"/>		DVO_SUB_512_001_BG-Schwingenhebel.pdf_replaced.pdf	Confidence: page: 1 logo: 100.00 Page Count: 1 Faulty: <input type="checkbox"/> Checked: <input type="checkbox"/> Lot contains errors: documents won't be uploaded: <input type="checkbox"/>	⋮
<input type="checkbox"/>		DVO_SUB_511_001_BG-Teilleiste-Fluegel-rechts.pdf_replaced.pdf	Confidence: page: 1 logo: 100.00 Page Count: 1 Faulty: <input type="checkbox"/> Checked: <input type="checkbox"/> Lot contains errors: documents won't be uploaded: <input type="checkbox"/>	⋮
<input type="checkbox"/>		DVO_SUB_518_001_BG-Antrieb-komplett.pdf_replaced.pdf	Confidence: page: 1 logo: 99.85 Page Count: 1 Faulty: <input type="checkbox"/> Checked: <input type="checkbox"/> Lot contains errors: documents won't be uploaded: <input type="checkbox"/>	⋮
<input type="checkbox"/>		DVO_SUB_513_001_BG-Uebersicht-Fluegel-mit-Antrieb.pdf_replaced.pdf	Confidence: page: 1 logo: 100.00 Page Count: 1 Faulty: <input type="checkbox"/> Checked: <input type="checkbox"/> Lot contains errors: documents won't be uploaded: <input type="checkbox"/>	⋮
<input type="checkbox"/>		DVO_SUB_516_001_BG-Uebersicht-Schwungrad-mit-Spant.pdf_replaced.pdf	Confidence: page: 1 logo: 100.00 Page Count: 1 Faulty: <input type="checkbox"/> Checked: <input type="checkbox"/> Lot contains errors: documents won't be uploaded: <input type="checkbox"/>	⋮
<input type="checkbox"/>		DVO_SUB_517_001_BG-Uebersicht-Mitnehmer-mit-Hemmung.pdf_replaced.pdf	Confidence: page: 1 logo: 99.85 Page Count: 1 Faulty: <input type="checkbox"/> Checked: <input type="checkbox"/> Lot contains errors: documents won't be uploaded: <input type="checkbox"/>	⋮



# The good ones in the pot, the bad ones into...

seal-admin

SEALSYSTEMS SEAL Client

Seal Details

Back

Teileinformationstabelle	
Pos. N	Bezeichnung
1	DVO-SUB-517-001
2	DVO-SUB-517-001
3	DVO-SUB-517-001
4	DVO-SUB-517-001
5	DVO-SUB-517-001
6	DVO-SUB-517-001
7	DVO-SUB-517-001
8	DVO-SUB-517-001
9	DVO-SUB-517-001
10	DVO-SUB-517-001
11	DVO-SUB-517-001
12	DVO-SUB-517-001

DVO-SUB-517-001\_BG-Uebersicht-Mitnehmer-mit-Hemmung.pdf\_replaced.pdf - Page 1

Download

Convert Settings

Parameters

Confidence

page: 1 logo: 99.85

Page Count

1

Faulty  Checked

Lot contains errors: documents won't be uploaded

Cancel Save

Activate Windows  
Go to Settings to activate Windows.



# Administrator view

All: 17 | Active: 2 | Finished: 11 | Error: 4

DPF Tracker - Server: ACCELLERON  Search

Job Status - Seal.csv (6) (202405310928482988) ✖

The job is running in the Working Unit **Rli.processLines1** on **acceleron**.  
 100% (step 6 of 8)

Process | History | Files | Parameters | Log File | **Subjobs**

6 Subjobs jobs per page

all subjobs on this page  all 6 subjobs ✖ Cancel ↻ Repeat 🗑 Delete

Job	User	Process	Status	Action
<input type="checkbox"/> <a href="#">DVO_SUB_518_001_BG-Antrieb-komplett.pdf(1)</a> <small>(202405310928522994)</small>	Administrator	acceleron LogoExchange2	The job is queued in the Working Unit <b>acceleron.detectlogoPages1</b> . 40% Job progress	<span style="color: red;">✖</span>
<input type="checkbox"/> <a href="#">DVO_SUB_517_001_BG-Uebersicht-Mitnehmer-mit-Hemmung.pdf (1)</a> <small>(202405310928522993)</small>	Administrator	acceleron LogoExchange2	The job is queued in the Working Unit <b>acceleron.detectlogoPages1</b> . 40% Job progress	<span style="color: red;">✖</span>
<input type="checkbox"/> <a href="#">DVO_SUB_516_001_BG-Uebersicht-Schwungrad-mit-Spant.pdf(1)</a> <small>(202405310928522992)</small>	Administrator	acceleron LogoExchange2	The job is queued in the Working Unit <b>acceleron.detectlogoPages1</b> . 40% Job progress	<span style="color: red;">✖</span>
<input type="checkbox"/> <a href="#">DVO_SUB_513_001_BG-Uebersicht-Fluegel-mit-Antrieb.pdf(1)</a> <small>(202405310928522991)</small>	Administrator	acceleron LogoExchange2	The job is queued in the Working Unit <b>acceleron.detectlogoPages1</b> . 40% Job progress	<span style="color: red;">✖</span>
<input type="checkbox"/> <a href="#">DVO_SUB_512_001_BG-Schwingenhebel.pdf(1)</a> <small>(202405310928522990)</small>	Administrator	acceleron LogoExchange2	The job is queued in the Working Unit <b>acceleron.detectlogoPages1</b> . 40% Job progress	<span style="color: red;">✖</span>
<input type="checkbox"/> <a href="#">DVO_SUB_511_001_BG-Teileliste-Fluegel-rechts.pdf(1)</a> <small>(202405310928522989)</small>	Administrator	acceleron LogoExchange2	The job is queued in the Working Unit <b>acceleron.detectlogoPages1</b> . 40% Job progress	<span style="color: red;">✖</span>



## *Seek and you shall find*

---

- Form clusters -> DVS-XSA!
- Training: Templates
- Characteristic: I am in progress
- DPF workflow with AI



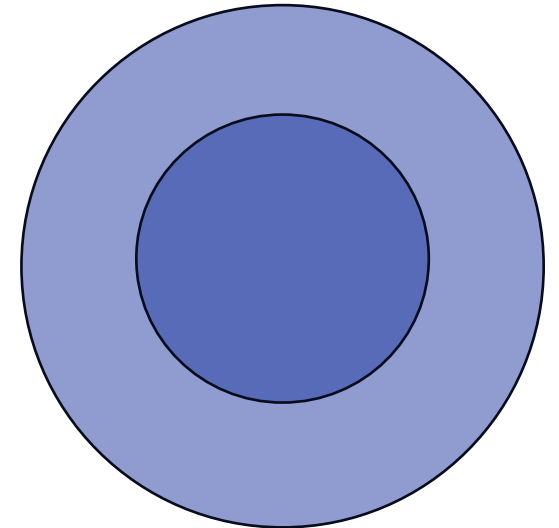
# *The process*

---

An automated process is needed!

1. Find positions of logos, names, copyrights
2. Position, scale and stamp over new content

1. Identify and copy documents from the document management
2. Mark data records in progress in the DMS
3. Store changed files in the DMS again

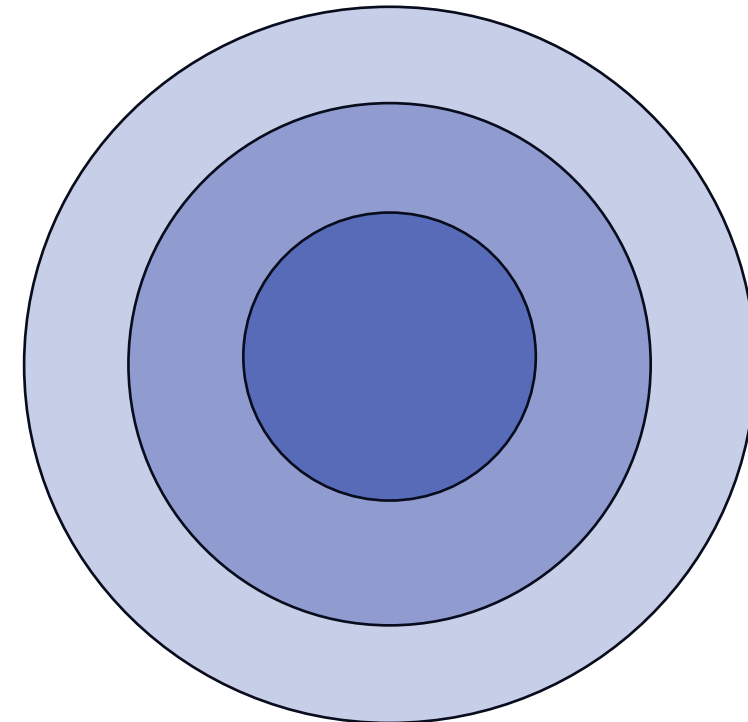


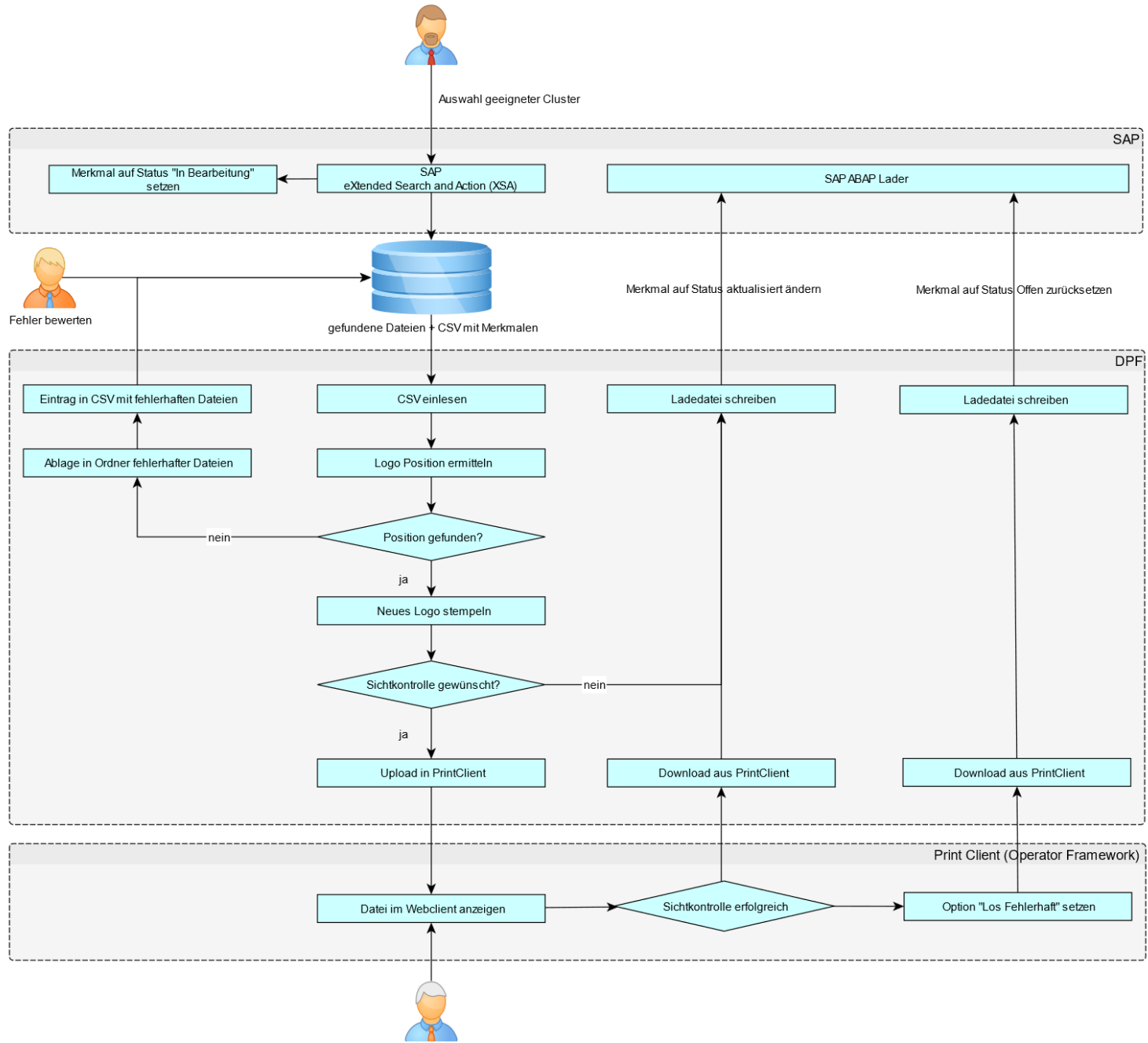


## *... and even more functions*

---

- Manual presorting
  - Layout types
  - Predecessor companies
  - Years
  - Document types
- Automatic updating and manual changes may compete
- Taking random samples and checking them manually
- Dealing with errors





# The overall process.





# *Summary*

---

Yes, we can (german: „Wir schaffen das.)

COM and AI

Ask SEAL

**SAP® Certified**  
Integration with SAP S/4HANA®



***Dr. Uwe Wächter***

+49 6154 / 637 373

[uwe.waechter@sealsystems.de](mailto:uwe.waechter@sealsystems.de)



***Paul Tietze***

+49 9195 / 926-0

[paul.tietze@sealsystems.de](mailto:paul.tietze@sealsystems.de)

***Europa, Mittlerer Osten, Afrika***

**SEAL Systems AG**

Lohmühlweg 4

91341 Röttenbach

DEUTSCHLAND

Tel.: +49 9195 926 0

E-Mail: [info@sealsystems.de](mailto:info@sealsystems.de) // Web: [www.sealsystems.de](http://www.sealsystems.de)

***Frankreich***

**SEAL Systems SARL**

30, rue de la Varenne

94100 Saint Maur des Fosses

FRANKREICH

Tel.: +33 1 43 97 69 66

E-Mail: [info@sealsystems.fr](mailto:info@sealsystems.fr) // Web: [www.sealsystems.fr](http://www.sealsystems.fr)

***Nord- und Südamerika***

**SEAL Systems Inc.**

7665 Town Square Lane, Suite 2058

Reno, NV 89523

USA

Tel.: +1 602 324 9276

E-Mail: [info@sealsystems.com](mailto:info@sealsystems.com) // Web: [www.sealsystems.com](http://www.sealsystems.com)